

<b>OFFICE USE ONLY</b>	
Date Recd:	_____
Staff Initials:	_____
Deposit Amount:	_____

**DOCK SLIP WAITING LIST AGREEMENT**

I, the undersigned, acknowledge that I am signing-up on the dock slip waiting list for the below referenced property. To be placed on the waiting list, I understand that a deposit equivalent to the current month-one slip cost is required and will be applied toward the annual fee at the time the slip is claimed. Furthermore, I understand that after (3) passes or no responses, I will be removed from the waiting list and my deposit will not be refunded. Should I choose to remove myself from the waiting list, I will need to do so in writing and submit to Member Services.

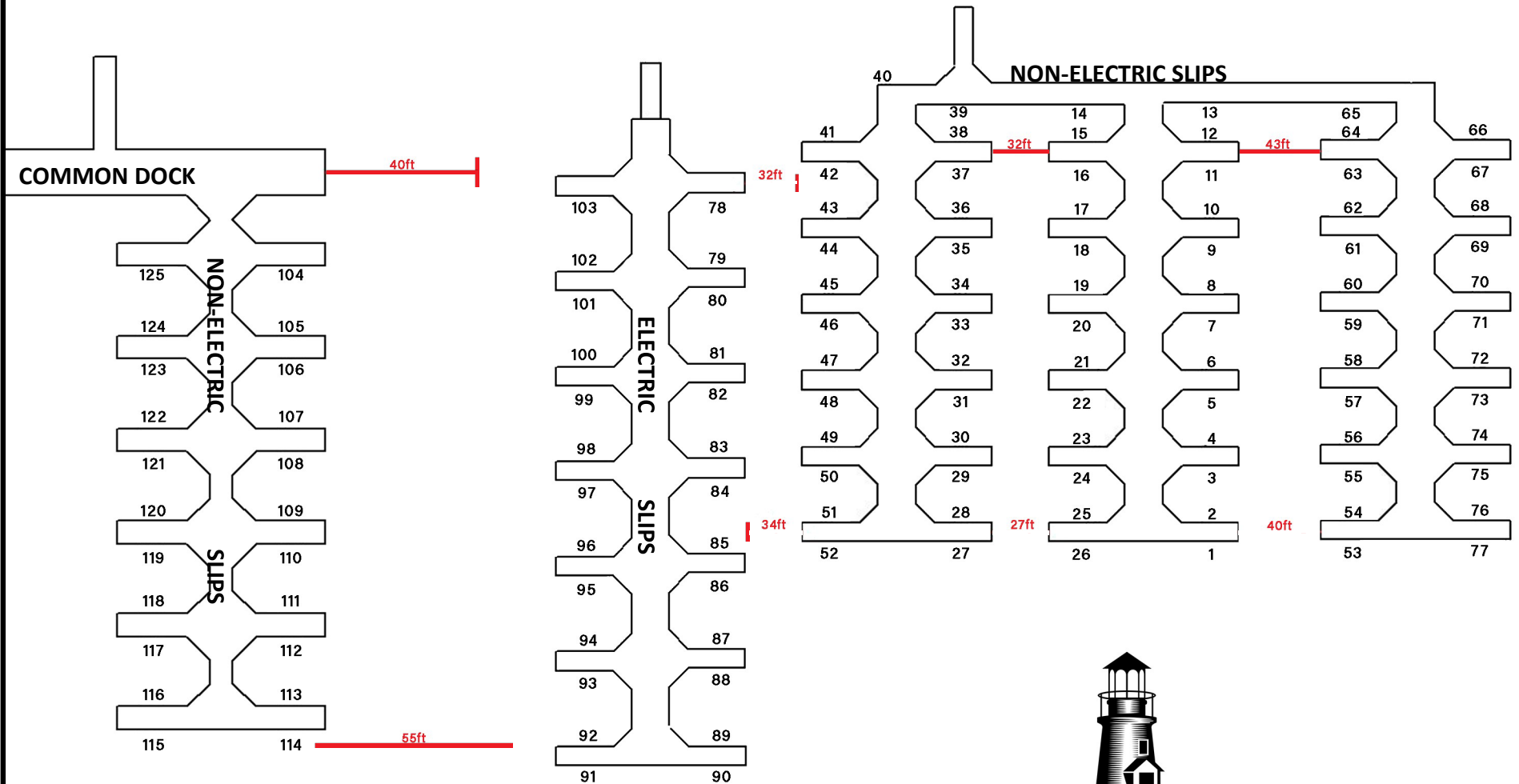
Slip Location Preferences			
Slip Type <i>(please circle one)</i>	Electric		Non-Electric
Slip # <i>(in order of priority)</i>			

**Name:** \_\_\_\_\_ **Tract – lot:** \_\_\_\_\_

**Address:** \_\_\_\_\_

**Member Signature:** \_\_\_\_\_ **Date:** \_\_\_\_\_

# CANYON LAKE RENTAL DOCKS



CANYON LAKE

PROPERTY OWNERS ASSOCIATION

\*NOT TO SCALE